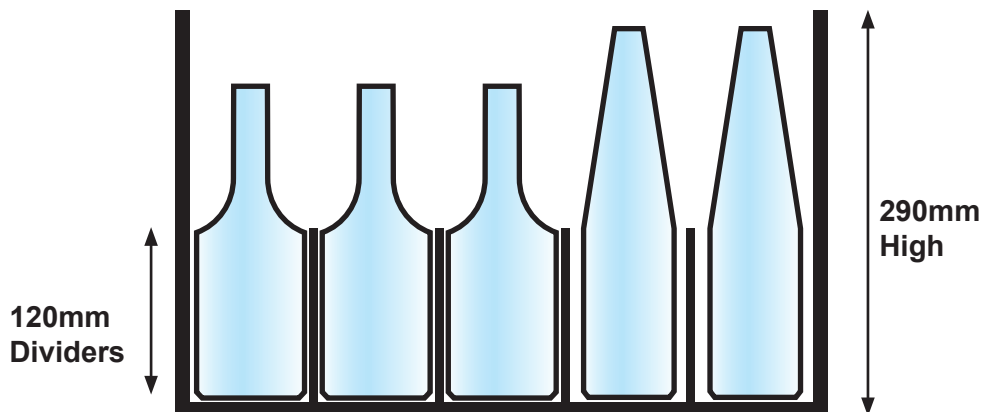
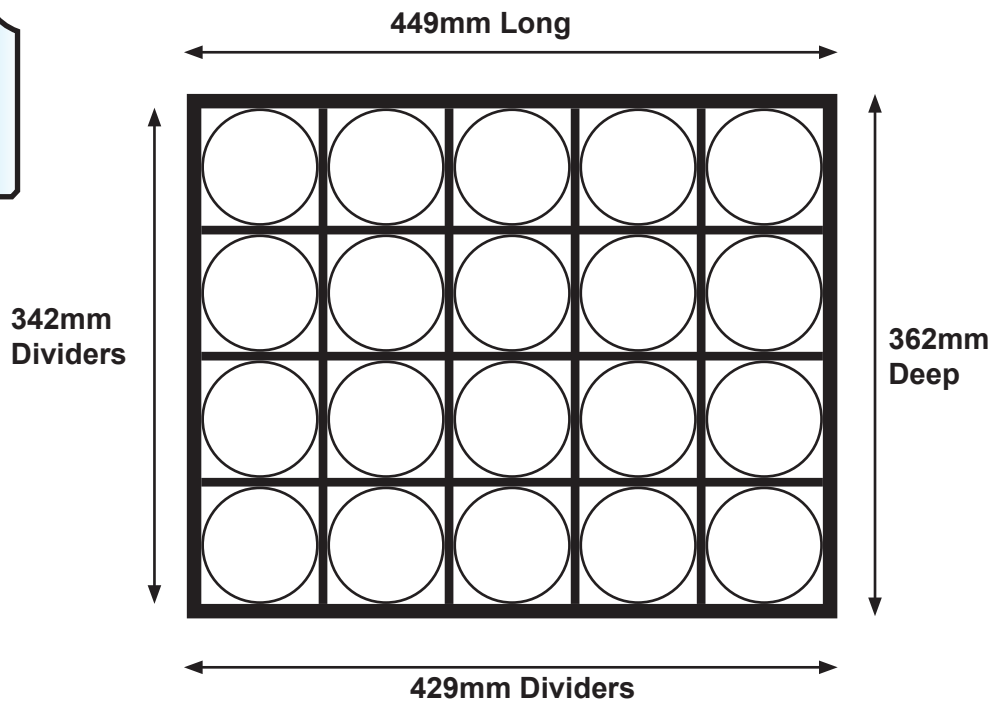


Wooden Beer Crate

It seems beer bottle crates for Home brewing are like gold dust, rocking horse poo, and sparrows teeth! So I thought I'd draw some plans up with a view to having a go at building some. :)

Shepherd Neame
80mm Dia X 220mm Tall

Timothy Taylors Landlord
68mm Dia X 260mm Tall



Cutting List for 1 beer crate:

10mm MDF for Sides and Base

4 or 6mm MDF for Dividers

2-off 449mm x 290mm

4-off 342mm x 120mm

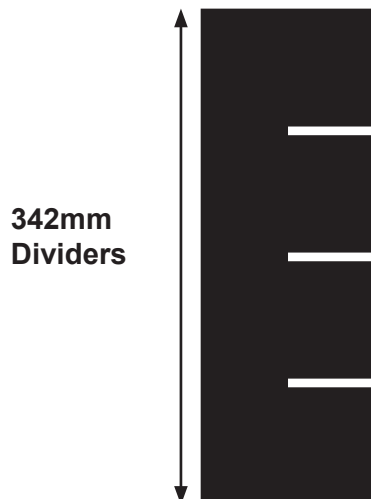
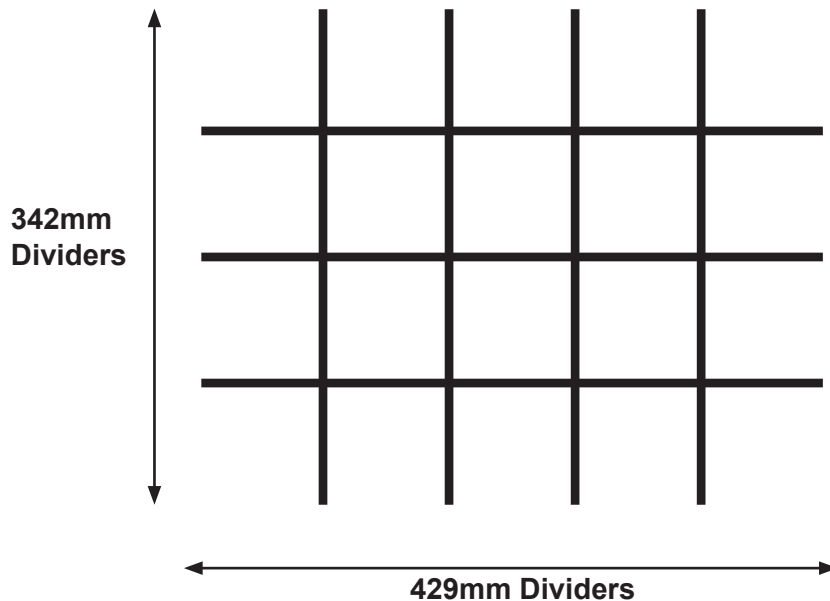
2-off 342mm x 290mm

3-off 429mm x 120mm

1-off 429mm x 342mm

Wooden Beer Crate

The Shepherd Neame bottles are the biggest diameter ones I have and the Timothy Taylors bottles are the tallest so I've designed this crate to accommodate both, using a diameter just 1 mm of space bigger than the larger dia Shepherd Neame bottle but setting the Dividers out so that there is an 81 mm square with 6 mm MDF dividers, if you want a little more room use 4 mm MDF instead.



Cut the 4 or 6mm wide slots (depending on your divider thickness) half way through the dividers and space the slots out equally. You can make your dividers deeper if you want, just still cut the slots half way through!

I was thinking of PVA wood glue and some 25mm Panel pins for the construction of the 10mm box, then the dividers could just be glued in place once you've made them fit.

The Crates could be strengthened with some of those little metal corner / angles screwed on in various places:

<http://www.screwfix.com/prods/11013/Ironmongery/Brackets/Brackets/Corner-Braces-Zinc-Plated-51-5-x-51-5-x-16-35mm-Pack-of-10>

Finally give them a good coat of clear spray lacquer or spray paint to seal off the MDF.